

## Model CN-R/R Round Perforated Steel Trash Receptacle Holder for 32 Gallon Containers



**Model CN-R/RW-32** Round Perforated Steel Trash Receptacle Holder for 32 gal. containers, Brown Thermo-plastic coated. Shown with optional **CN-PD/W-24** Plastic Dome Lid.

- **32 gallon capacity**
- **Welded Steel Fabrication**
- **Durable thermo-plastic or hot dip galvanized finish**
- **Large choice of color, lid, liner, and mounting options**

### MOUNTING OPTIONS

**Model M2/G Embedded Pedestal Mount:**

elevated concrete embedded installation

**Model M3/G Surface Pedestal Mount:**

elevated base plate on concrete installation

**Model M6/B Surface Ground Anchors:**

four steel rod anchors for temporary location in lawns or on soft dirt.

### CAN AND LINER OPTIONS

**Model CNG-2310CL:** Regular-duty, 31 gal. capacity, galvanized steel can with lid

**Model CN/B-1827:** 36 gal. capacity, heavy-duty, rigid plastic liner

**Model CN-4132CL:** 30 gal. capacity, plastic liner with lid

**Model CNG-WHD32CL:** Federal Duty, 32 gal. capacity, galvanized steel can with lid

### SPECIFICATIONS:

- **Model CN-R/R Series** trash receptacle is an all-welded construction, fabricated from a single piece of 14 ga. perforated steel with 9/16" dia. holes in a 13/16" center to center in-line pattern formed into a cylindrical shape.
- The receptacle is reinforced with 10 ga. top and bottom rings and die-formed cross braces across the bottom providing holes for anchoring options.
- **Model CN-R/R-32** is a 32 gal. capacity trash receptacle 23-1/4" O.D. x 22-7/8" I.D. x 29-3/4" high.
- **Standard:** All steel surfaces of the receptacle are covered with a thermo-plastic coating in a Brown color (indicated by "/RW" in model no., e.g. CN-R/RW-32). The UV-stabilized thermo-plastic coating is applied in a multi step process of material preparation and finish application designed to permanently heat fuse and bond the finish to the steel. The thermo-plastic polyethylene finish is impact resistant, does not support mold or mildew, and the textured matte surface is less susceptible to marring and scuffing.
- **Optional:** Color choices of thermo-plastic coated steel components. See Specification Bulletin #SPC-CO-001.
- **Optional:** In place of thermo-plastic coating, all steel components are hot-dip galvanized after fabrication to ASTM-A123 to maintain an average zinc coating of 2.0 oz. per sq. ft. of surface area (replace "RW" in model no. with "/R/G", e.g. CN-R/R/G-32).

### LID OPTIONS

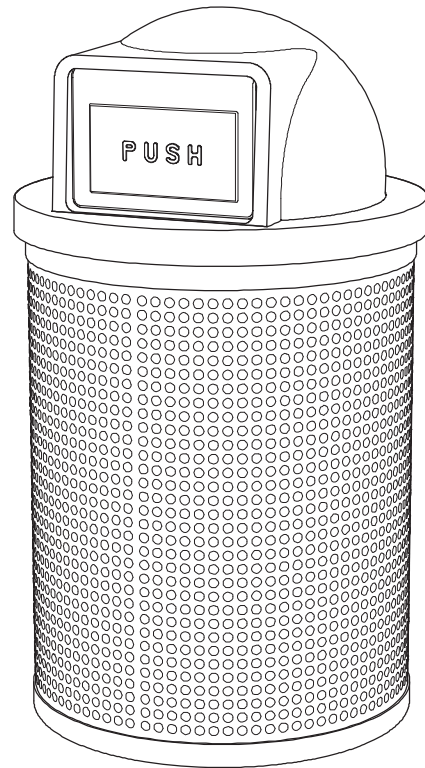
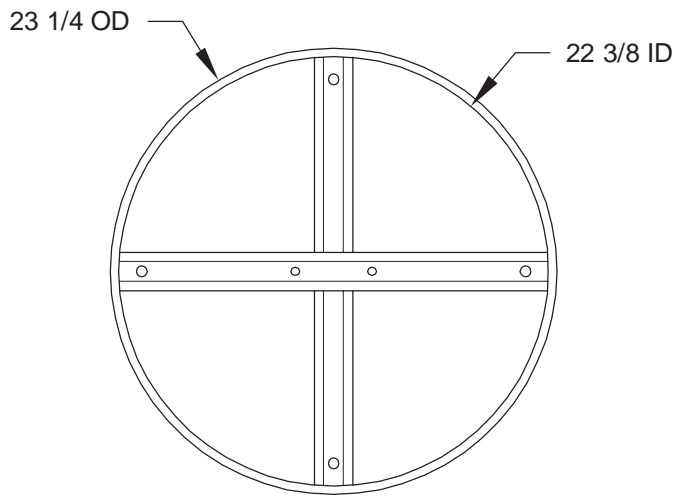
- **Model CN-PD/◆-24** Pilot Rock Plastic Dome Hatch Lid
- **Model CN-PD/◆-24PC Series** Pilot Rock Plastic Dome Recycling Lid
- **Model CN/◆-4455** Plastic Dome Hatch Lid
- **Model CN/G-5555** Galvanized or Powder Coated Steel Dome Hatch Lid
- **Model CN-SDR-24** Plastic Dome lid.
- **Model T◆-24X** Flat Steel Lid
- **Model T◆-24** Flat Steel Lid with a spring-loaded 10" dia. Hatch
- **Model T◆-24PC Series** Flat Steel Recycling Lids with 3" dia. opening, with 4-3/8" dia. opening, or with 5-7/8" dia. opening
- **Model T/◆-2410** Flat Steel Lid with 10" opening
- **Model T/◆-2410R** Flat Steel Lid with 10" opening and rain cover
- **Model T/◆-2410A** Flat Steel Lid with 10" opening, rain cover and ashtray
- **Model T/◆-246** Recycling Lid, flat, Thermo-plastic Coated Steel with 5-3/4" dia. opening
- **Model CN/B-1825** Flat Molded Plastic Lid with 10" center opening
- **Model CN/B-55FT** Flat Molded Plastic Lid with 15" center opening
- **Model CN/B-3030** Black Molded Plastic Canopy Lid with openings at each end
- **Model CN-PR/◆-24PC Series** Recycled Plastic Flat Lids with 3" dia. opening, with 4-3/8" dia. opening or with 5-7/8" dia. opening
  - ◆ Indicates choice of finish or color — Inquire for specific model options

**RJ Thomas Mfg. Co., Inc.**

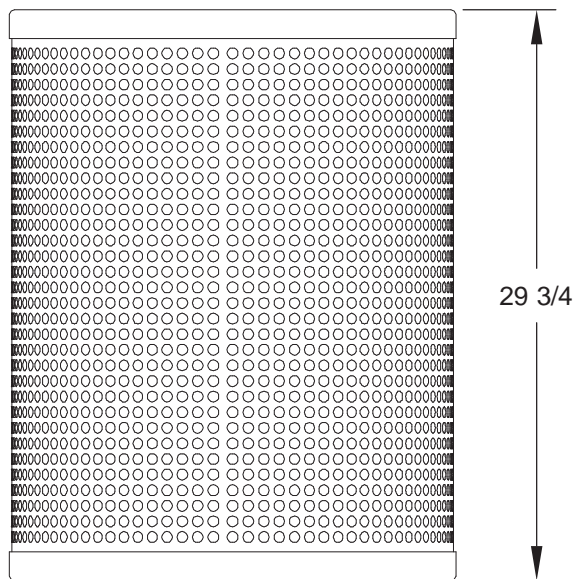
PO Box 946 • Cherokee, IA 51012-0946 • PH: 712-225-5115 • 800-762-5002 • FAX: 712-225-5796

E-mail: pilotrock@rjthomas.com • Web Site: <https://www.pilotrock.com>

© 2021 RJ Thomas Mfg. Co., Inc. PILOT ROCK® Park Products is a registered trademark of RJ Thomas Mfg. Co., Inc.



**MODEL CN-R/R-32  
SHOWN WITH OPTIONAL LID  
MODEL CN-SDR/24**



**ALL DIMENSIONS IN INCHES**

**RJThomas  
Mfg. Co., Inc.**  
P.O. Box 946  
Cherokee, IA 51012

**TITLE MODEL CN-R/R-32 ROUND PERFORATED STEEL TRASH  
RECEPTACLE HOLDER FOR 32 GALLON CONTAINERS**

<b>DRAWN BY</b>	<b>WWM</b>
<b>DATE</b>	<b>7-27-09</b>
<b>DWG. NO.</b>	<b>AI-1909</b>